

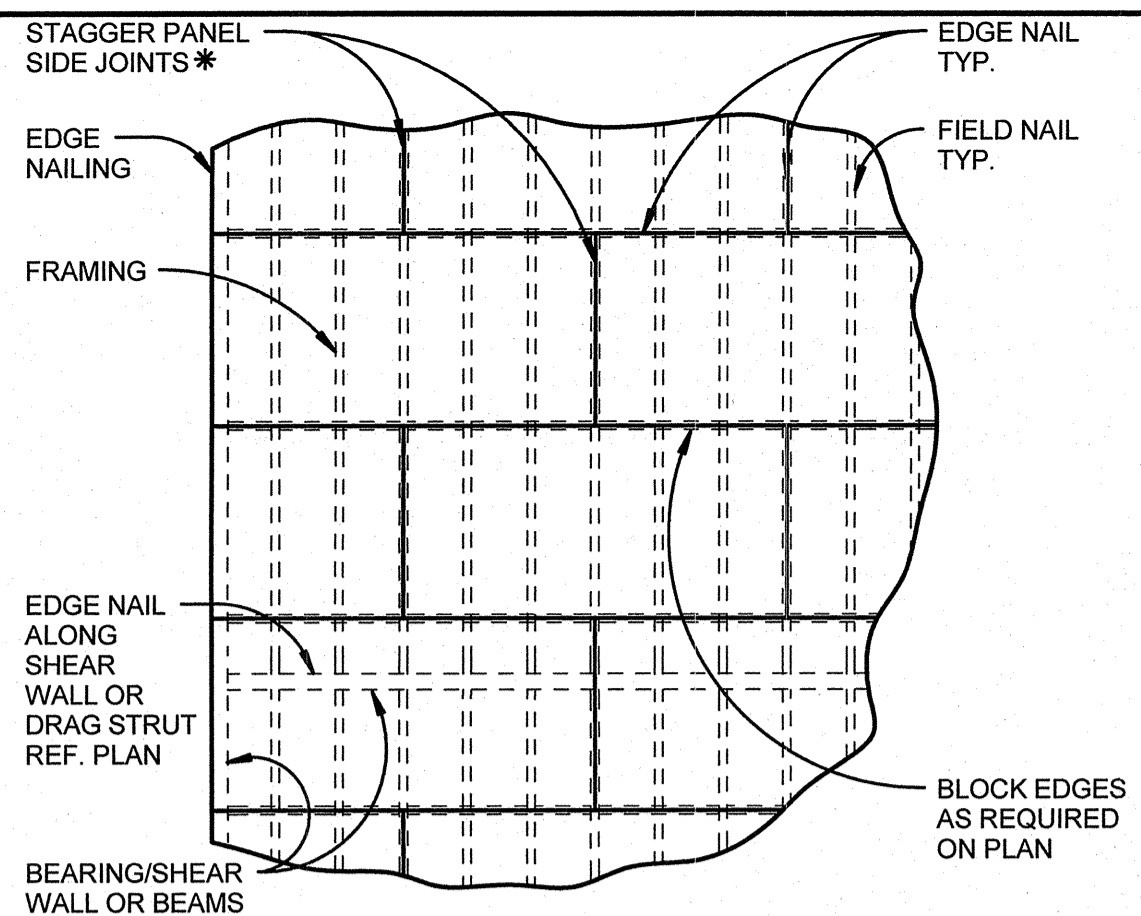
Project Status  
PERMIT/BID ISSUE

WOOD DETAILS  
FERN RIDGE MIDDLE SCHOOL

S8.1

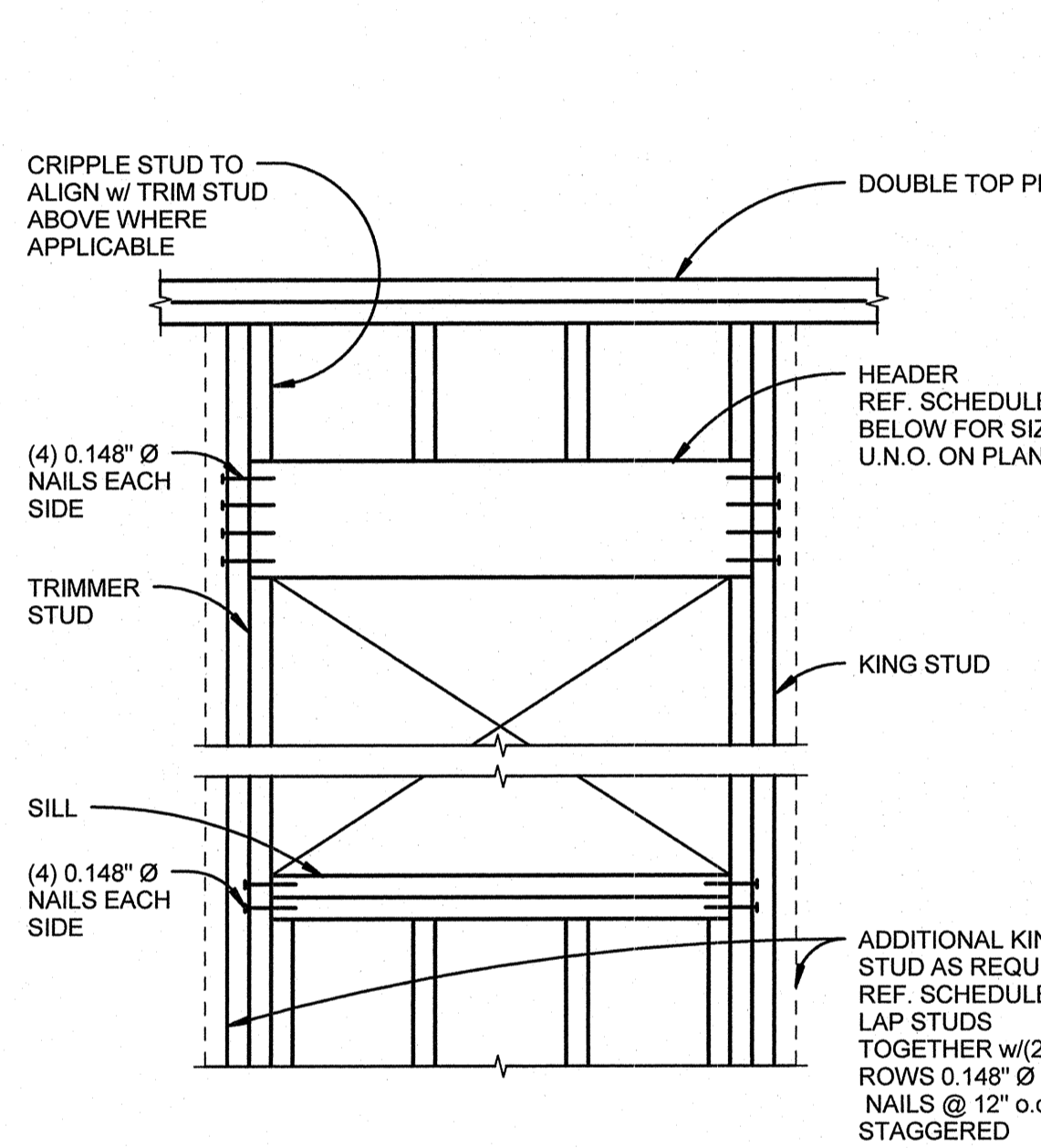
DLR Group  
Architecture Planning Interiors

DLR Group Architecture & Planning Inc., an Oregon corporation. ALL RIGHTS RESERVED.



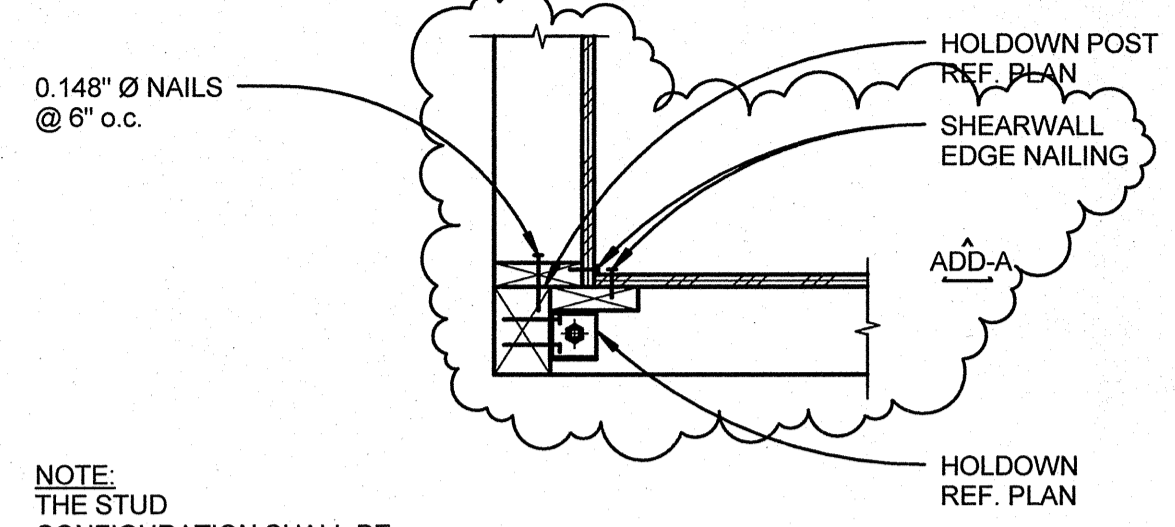
- NOTES:**
- \* PROVIDE 1/8" GAP AT ALL PANEL JOINTS. REF. GENERAL STRUCTURAL NOTES FOR ADDITIONAL INFORMATION.
  - PANELS SHALL NOT BE LESS THAN 4'-0"x8'-0" EXCEPT AT BOUNDARIES AND CHANGES IN FRAMING WHERE MINIMUM PANEL DIMENSION SHALL BE 24" UNLESS ALL EDGES OF UNDERSIZED PANELS ARE SUPPORTED BY AND FASTENED TO FRAMING MEMBERS OR BLOCKING.
  - NAILS SHALL BE LOCATED AT LEAST 3/8" FROM THE EDGES OF PANELS.

**8 PLYWOOD DIAPHRAGM NAILING**  
1" = 1'-0"



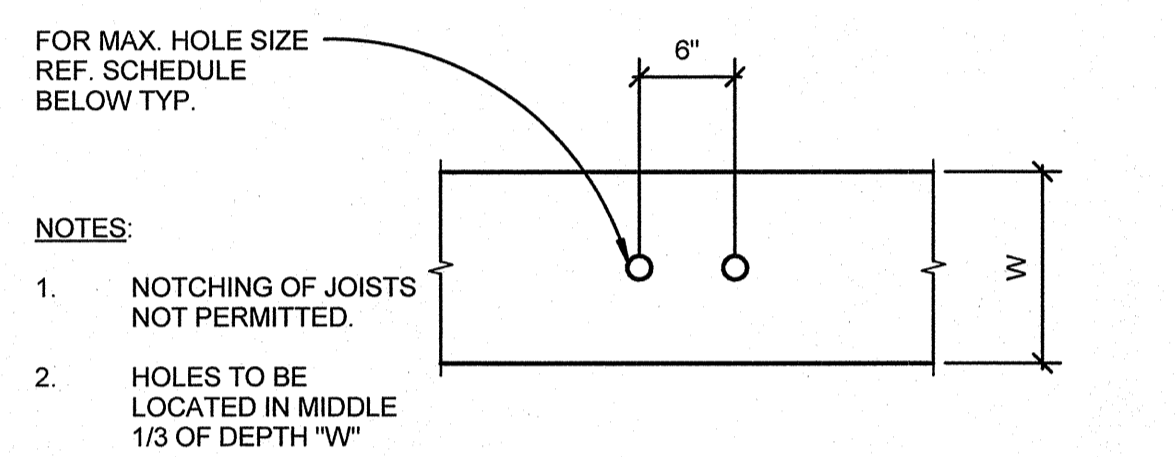
OPENING WIDTH	HEADER	SILL	TRIMMER	KING
HEADER 1	(2) 2x6	(2) 2x	(1) 2x	(1) 2x
HEADER 2	(3) 2x12	(2) 2x	(1) 2x	(1) 2x

**9 TYPICAL HEADER/SILL DETAIL**  
1" = 1'-0"

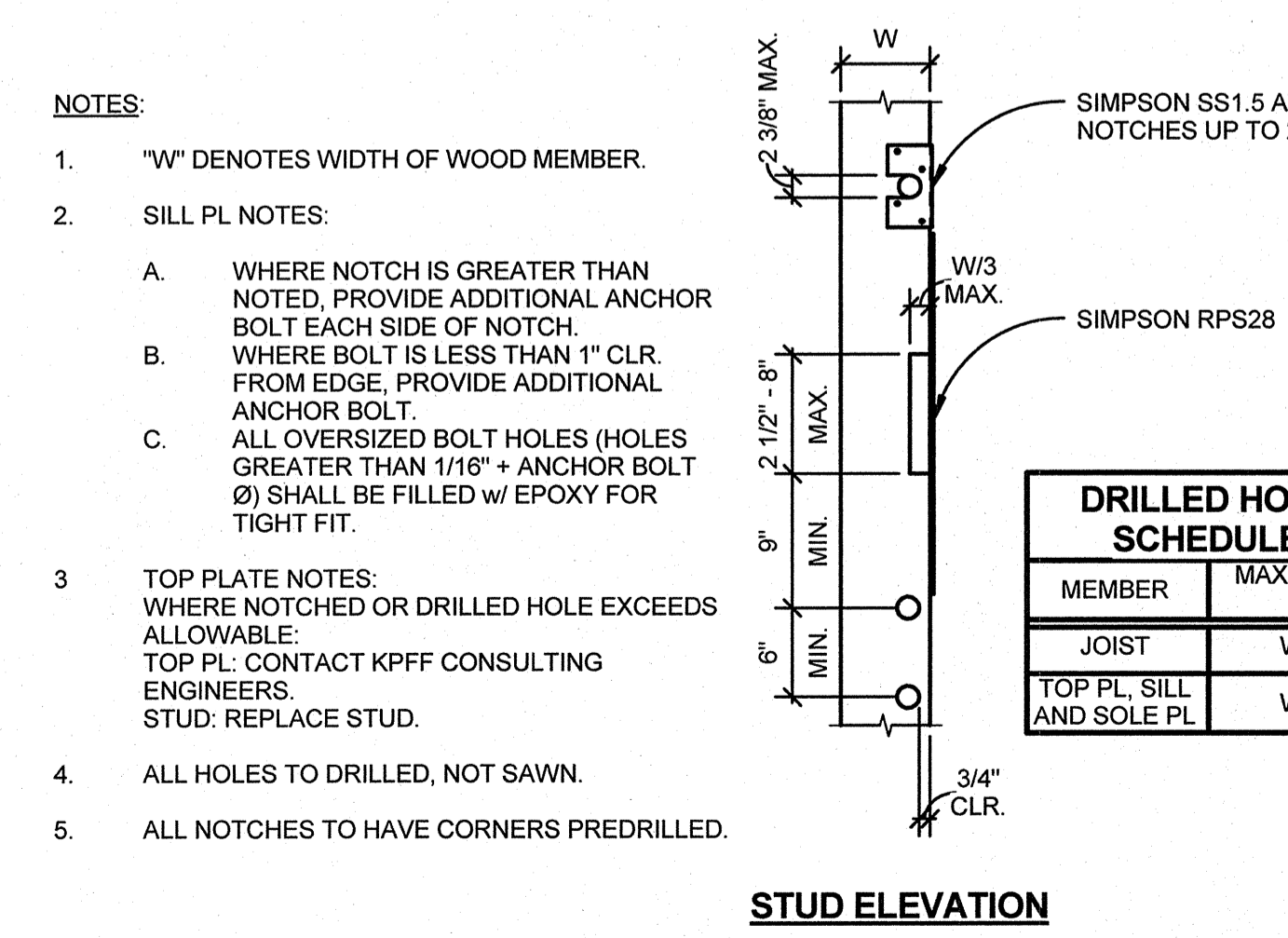
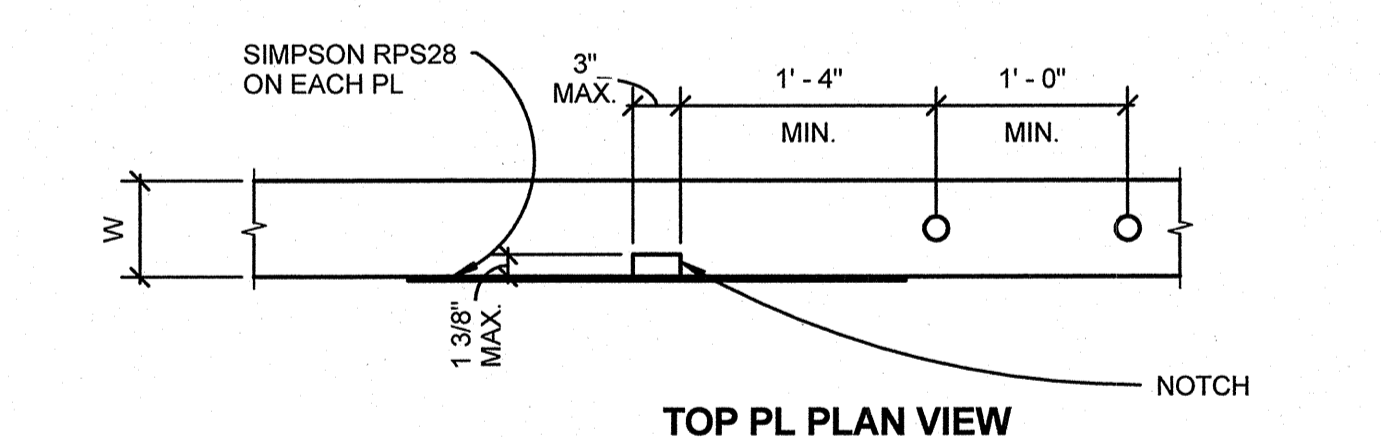
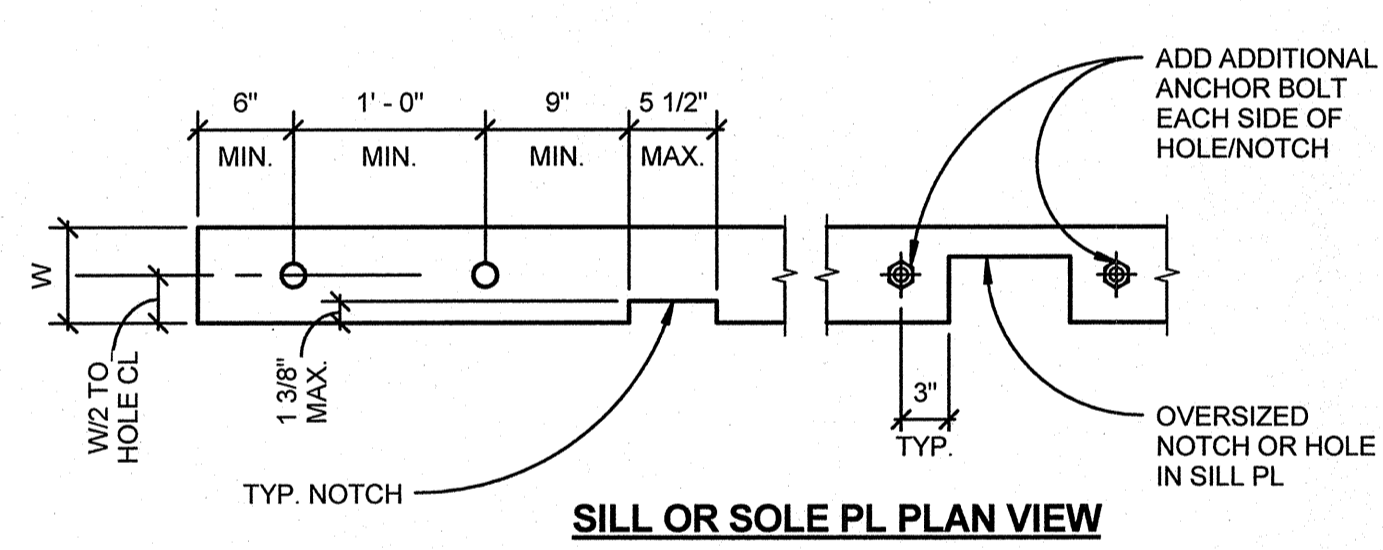


**NOTE:** THE STUD CONFIGURATION SHALL BE THE SAME FOR ALL CONDITIONS WHERE STRAP HOLDOWNS ARE USED.

**6 HOLDSOWNS AT CORNERS**  
1" = 1'-0" S1.4

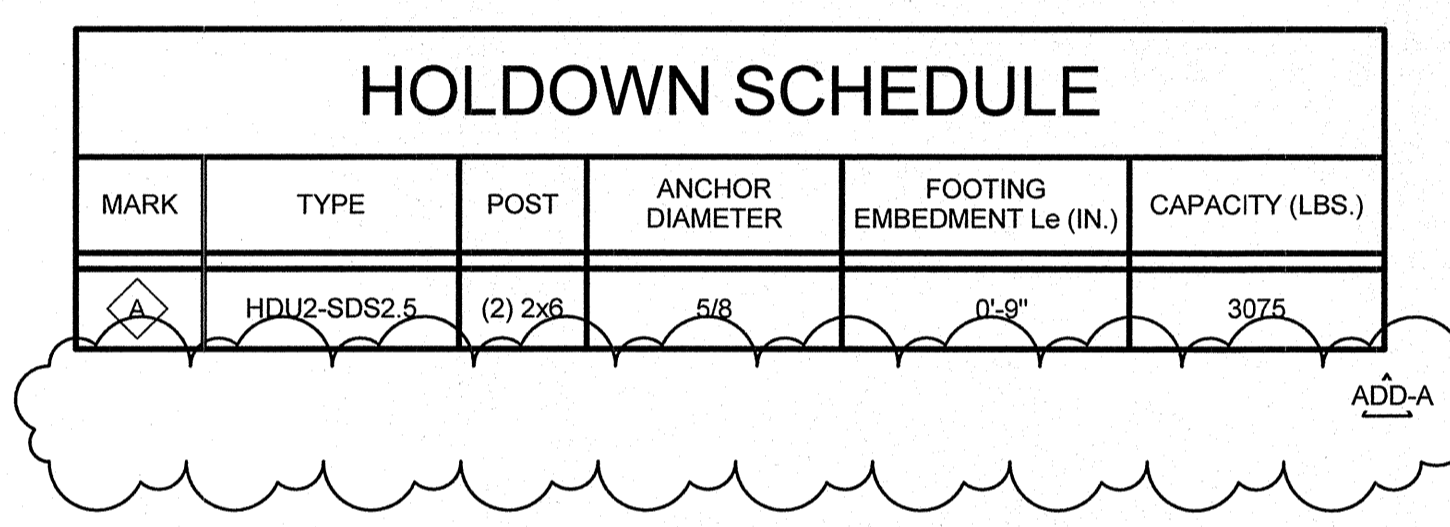


2x JOIST ELEVATION EXCLUDES I-JOISTS REF. MANUFACTURER'S REQUIREMENTS

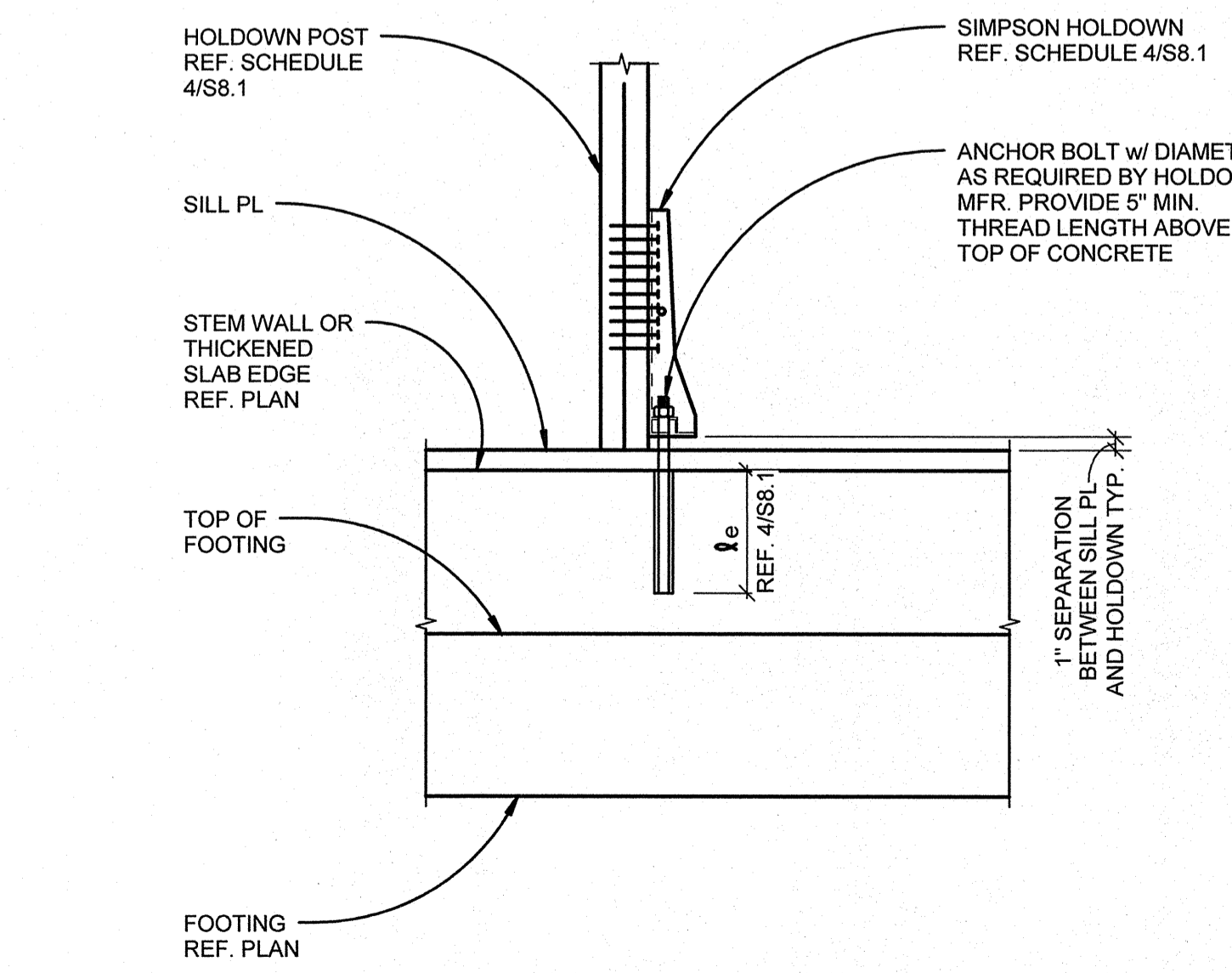


**7 HOLES AND NOTCHES AT WOOD FRAMING**  
1" = 1'-0"

**3 ADJOINING SHEAR WALL EDGES**  
1" = 1'-0"



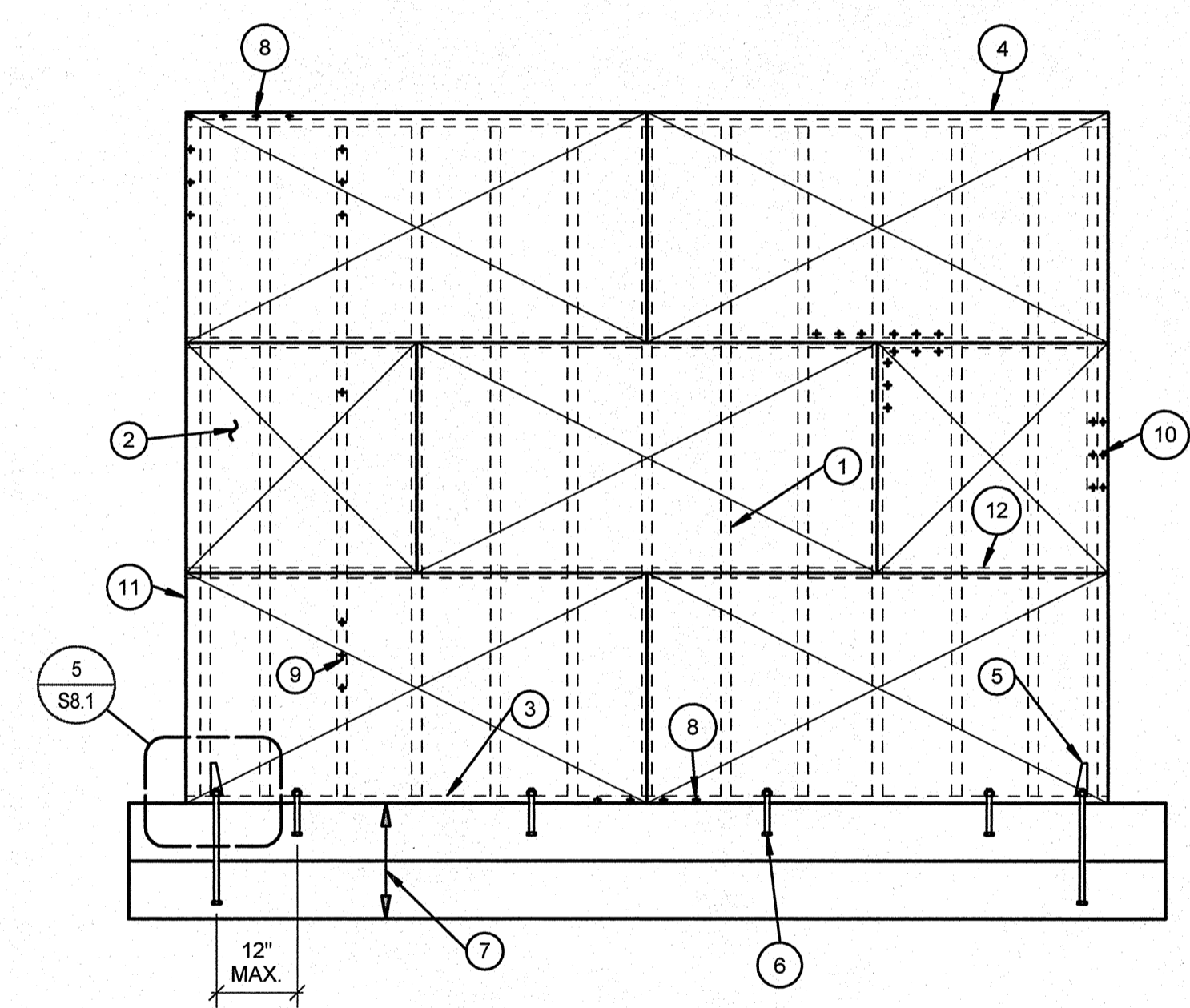
**4 HOLDOWN SCHEDULE**  
1" = 1'-0"



**5 HOLDOWN ELEVATION**  
1" = 1'-0" S8.1

WALL SYMBOL	WOOD STRUCTURAL PANEL SHEATHING	EDGE NAILING	FRAMING THICKNESS AT ADJOINING PANEL EDGES	SOLE PLATE FASTENING	SILL PLATE THICKNESS	SILL PLATE FASTENING	SHEAR CLIPS
1	15/32"	0.131" Ø @ 6" o.c.	2x	0.148" Ø @ 6" o.c.	2x	(E) 5/8" Ø A.B. @ 3'-0" o.c.	A35 @ 24" o.c. MIN. (1) PER BAY

**1 SHEAR WALL SCHEDULE**  
1" = 1'-0"



**2 SHEAR WALL ELEVATION - SINGLE STORY**  
1" = 1'-0"