

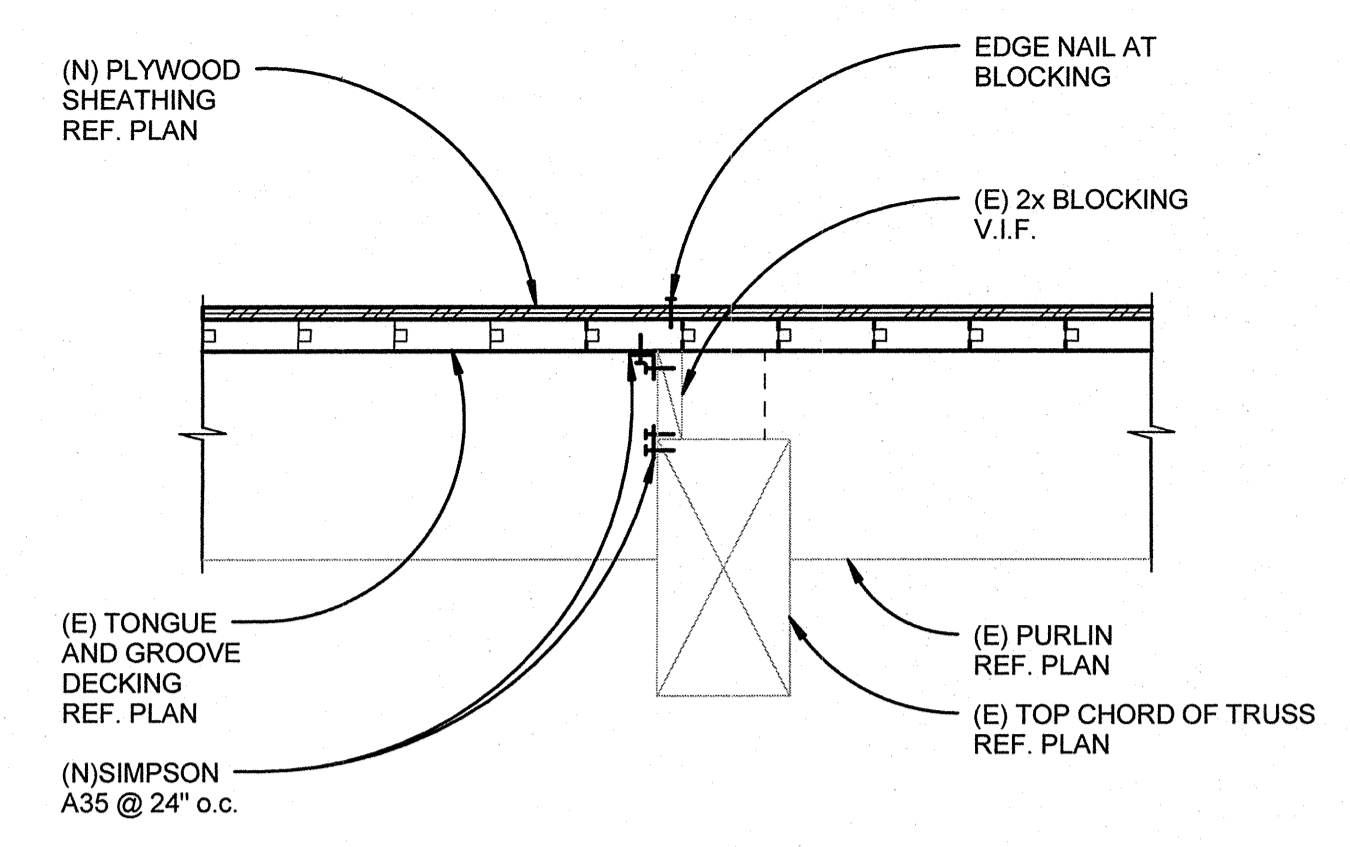
Project Status
PERMIT/BID ISSUE

WOOD DETAILS
FERN RIDGE MIDDLE SCHOOL

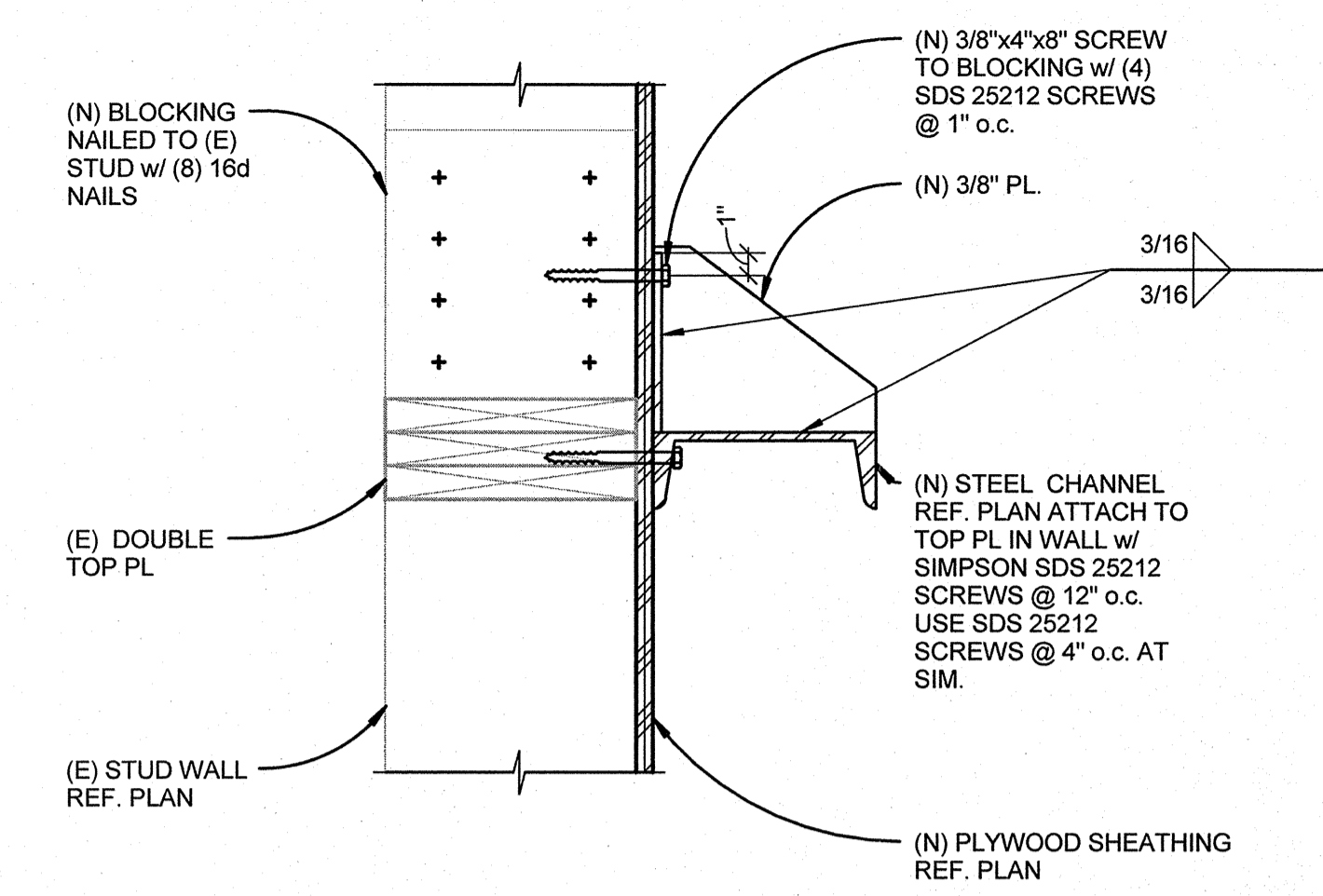
S8.2
74-13107-30
04-28-2015
REVISIONS
ADDA 03/20/15 Addendum A

DLR Group
Architecture Planning Interiors

© DLR Group Architecture & Planning Inc., an Oregon corporation, ALL RIGHTS RESERVED

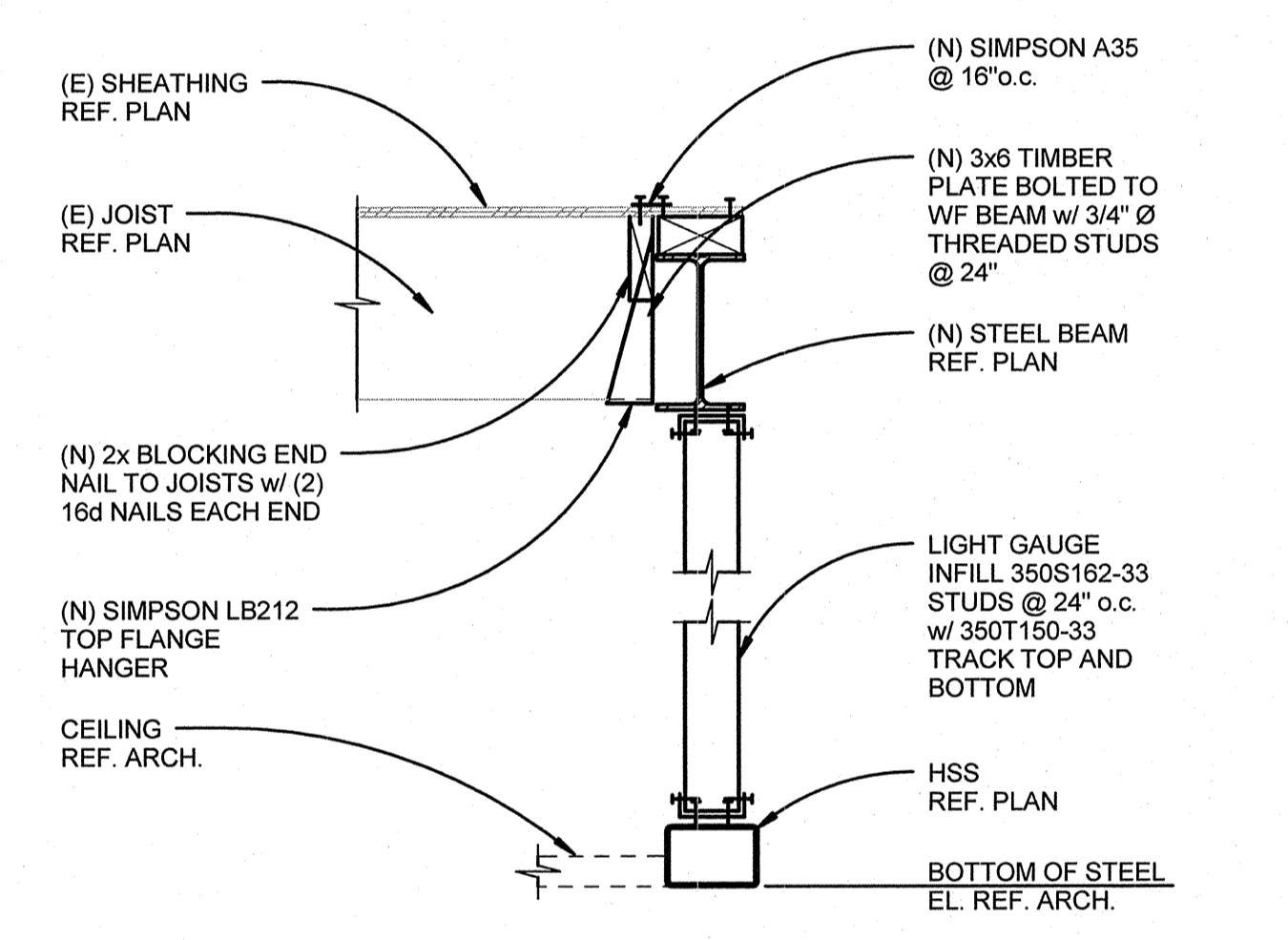


7 BLOCKING DETAIL
1" = 1'-0" S4.4

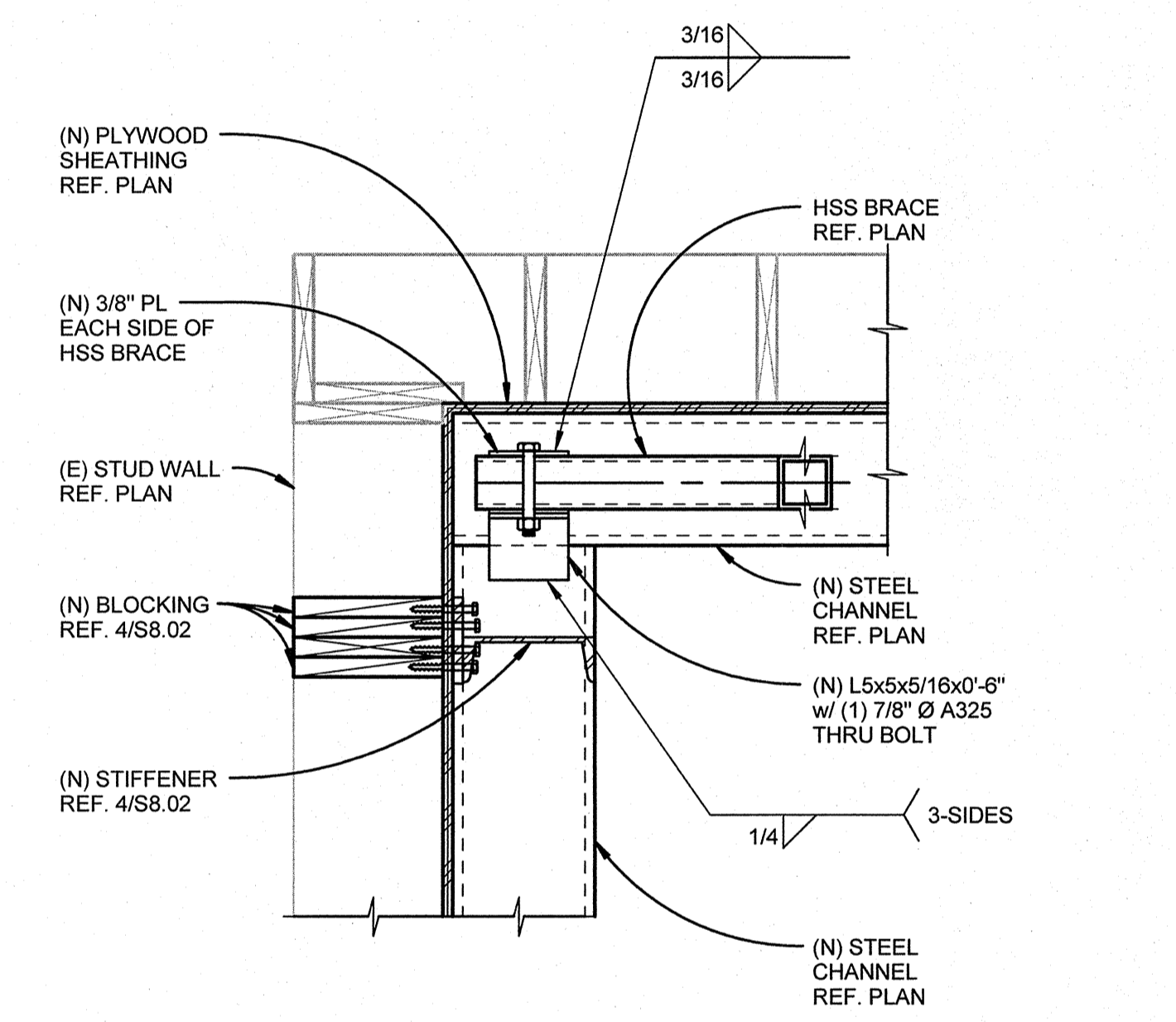


4 CHANNEL STIFFENERS
1 1/2" = 1'-0" S4.4

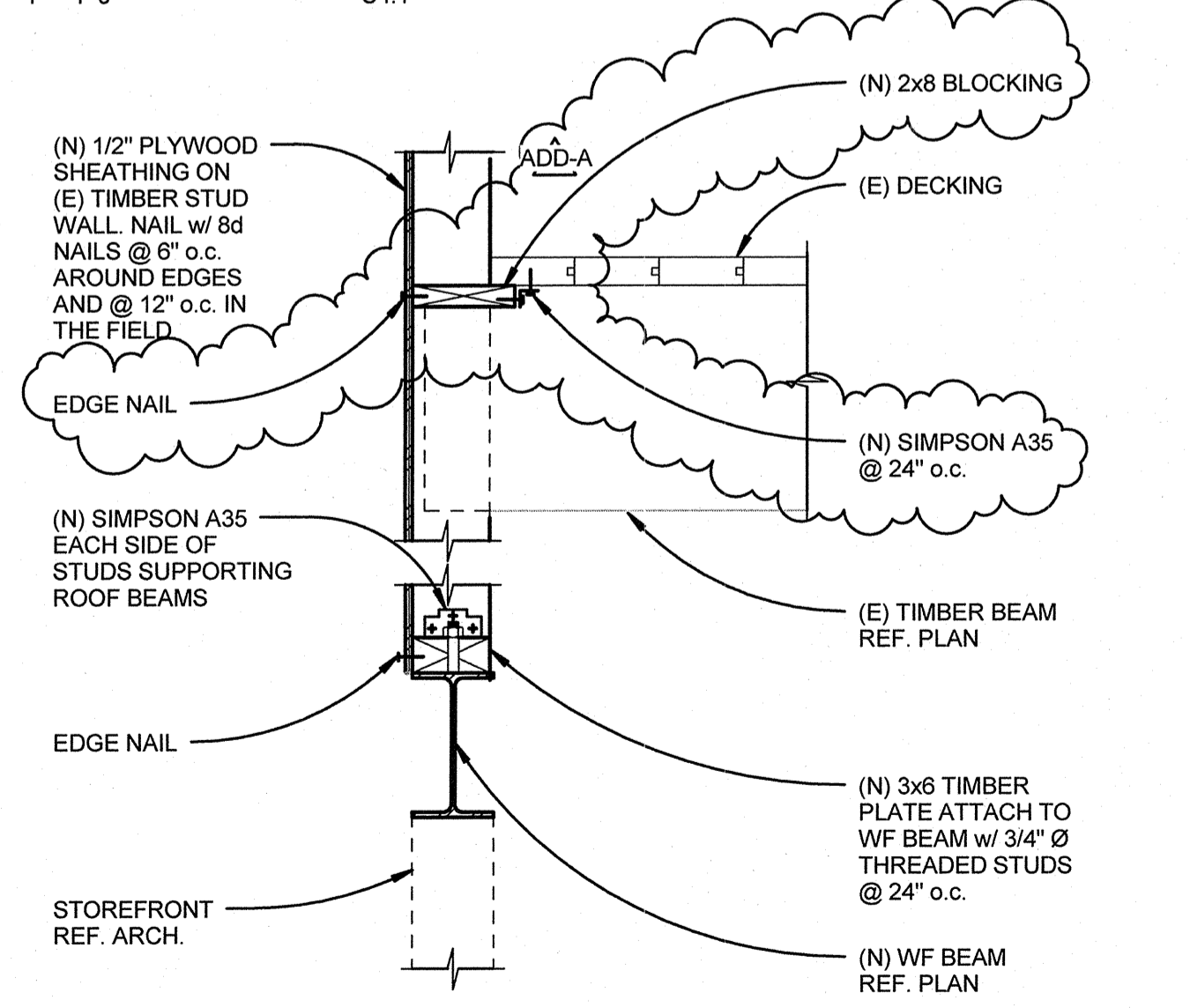
NOTE:
PROVIDE STIFFENER AT ENDS AND 10'-0" o.c.
MAXIMUM ALONG STEEL CHANNEL.



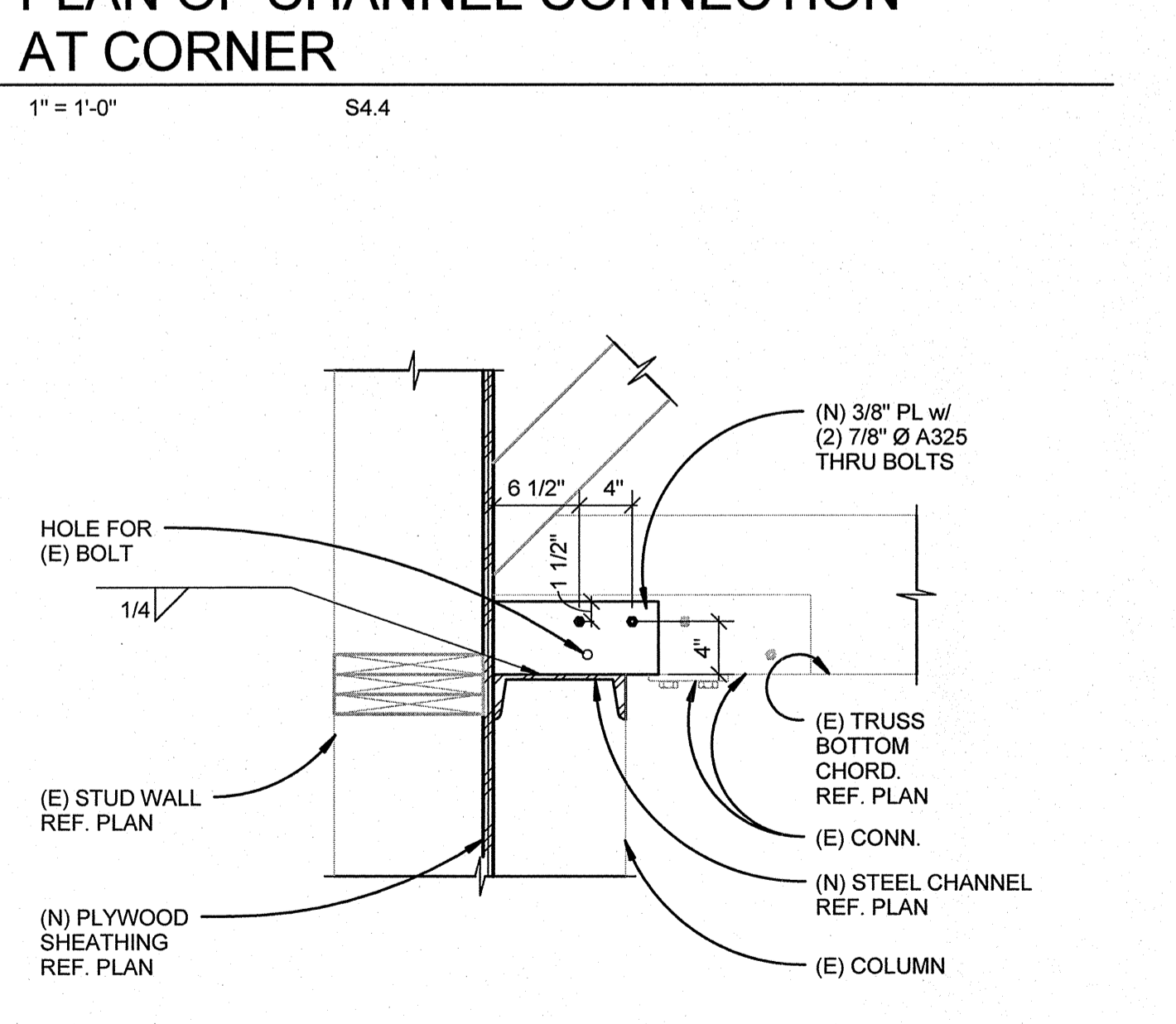
8 EXISTING ROOF SUPPORT
1" = 1'-0" S4.1



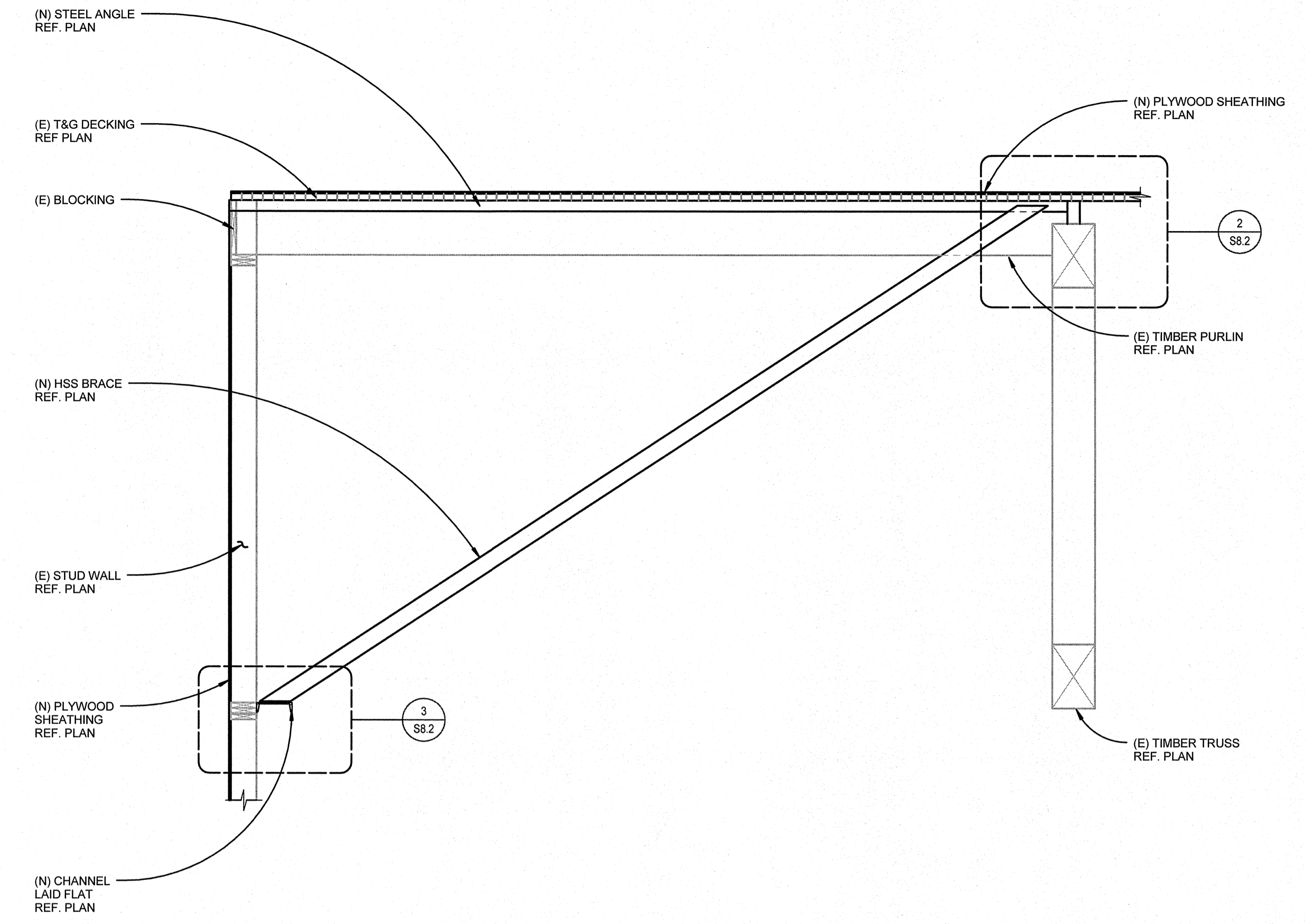
5 PLAN OF CHANNEL CONNECTION AT CORNER
1" = 1'-0" S4.4



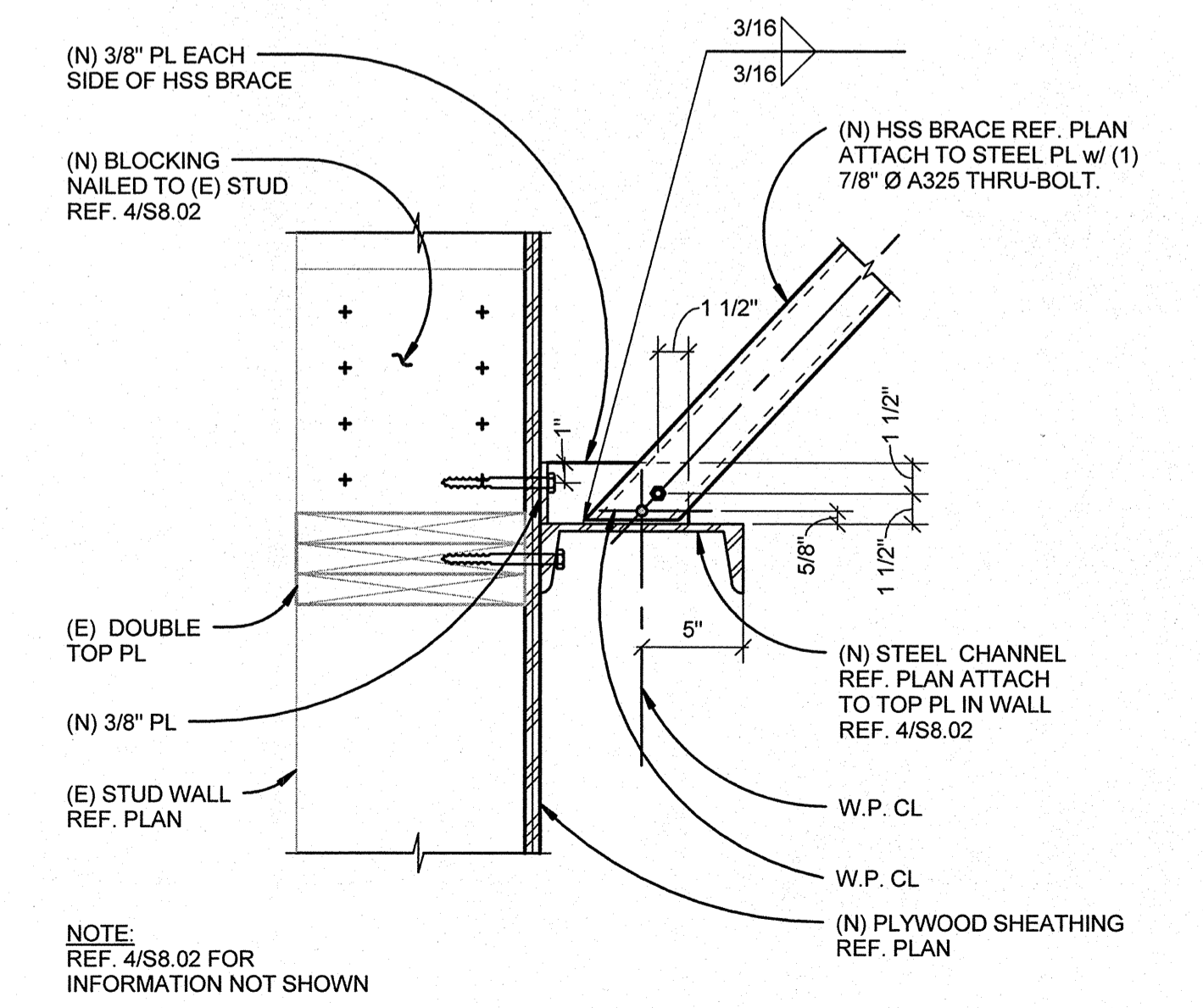
9 ROOF SUPPORT BEAM AT STOREFRONT
1" = 1'-0" S4.2



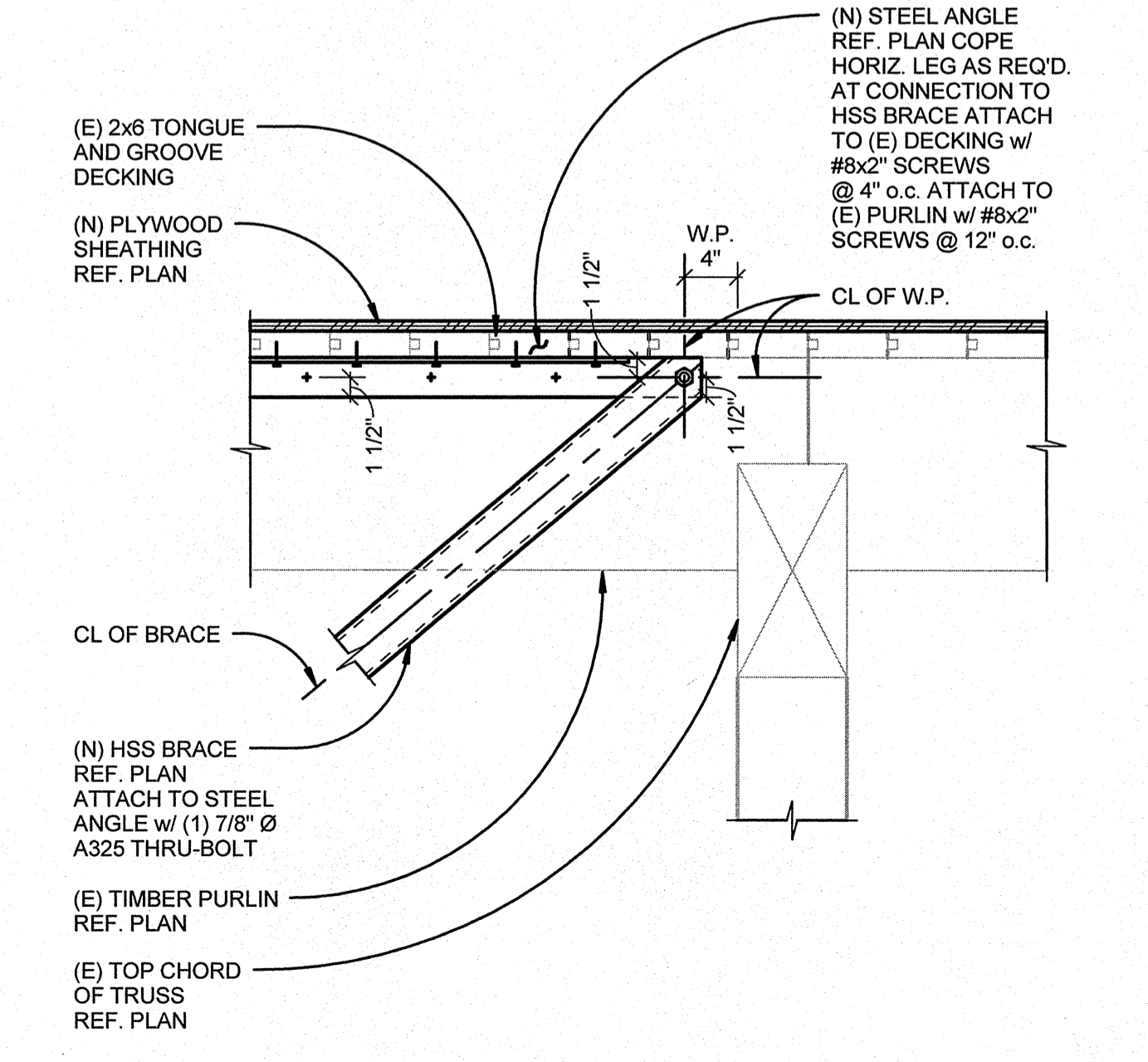
6 CHANNEL TO TRUSS CONNECTION
1" = 1'-0" S4.4



1 BRACED DETAIL AT GYM ROOF
1/2" = 1'-0" S4.4



3 BRACE CONNECTION TO WALL
1 1/2" = 1'-0" S8.2



2 BRACE CONNECTION TO ROOF
1" = 1'-0" S8.2

C:\Users\scottb\Documents\214323.10\KOPFF FERN RIDGE MS R15_scothb.rvt
5/8/2015 11:47:55 AM