

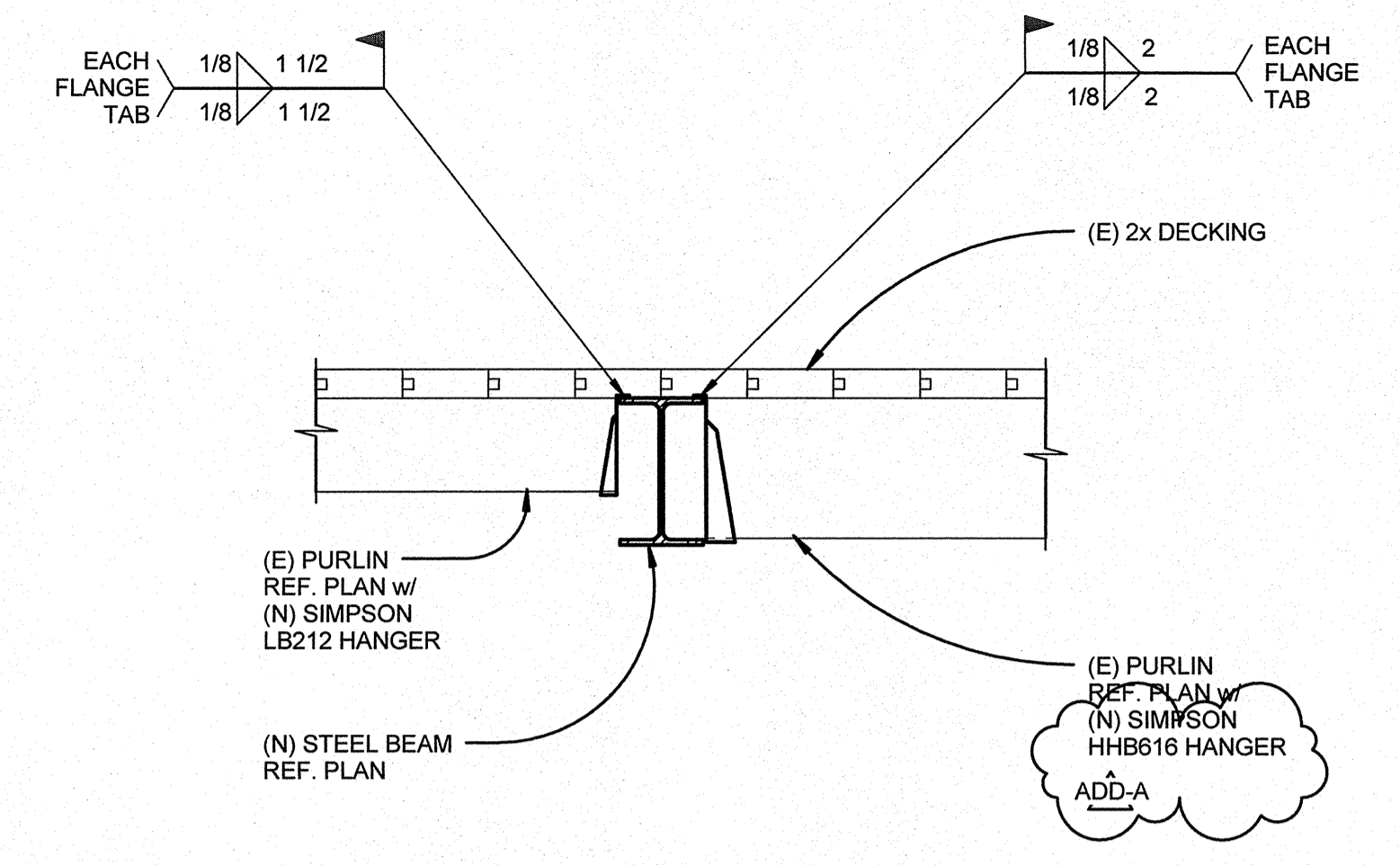
Project Status  
PERMIT/BID ISSUE

WOOD DETAILS  
FERN RIDGE MIDDLE SCHOOL

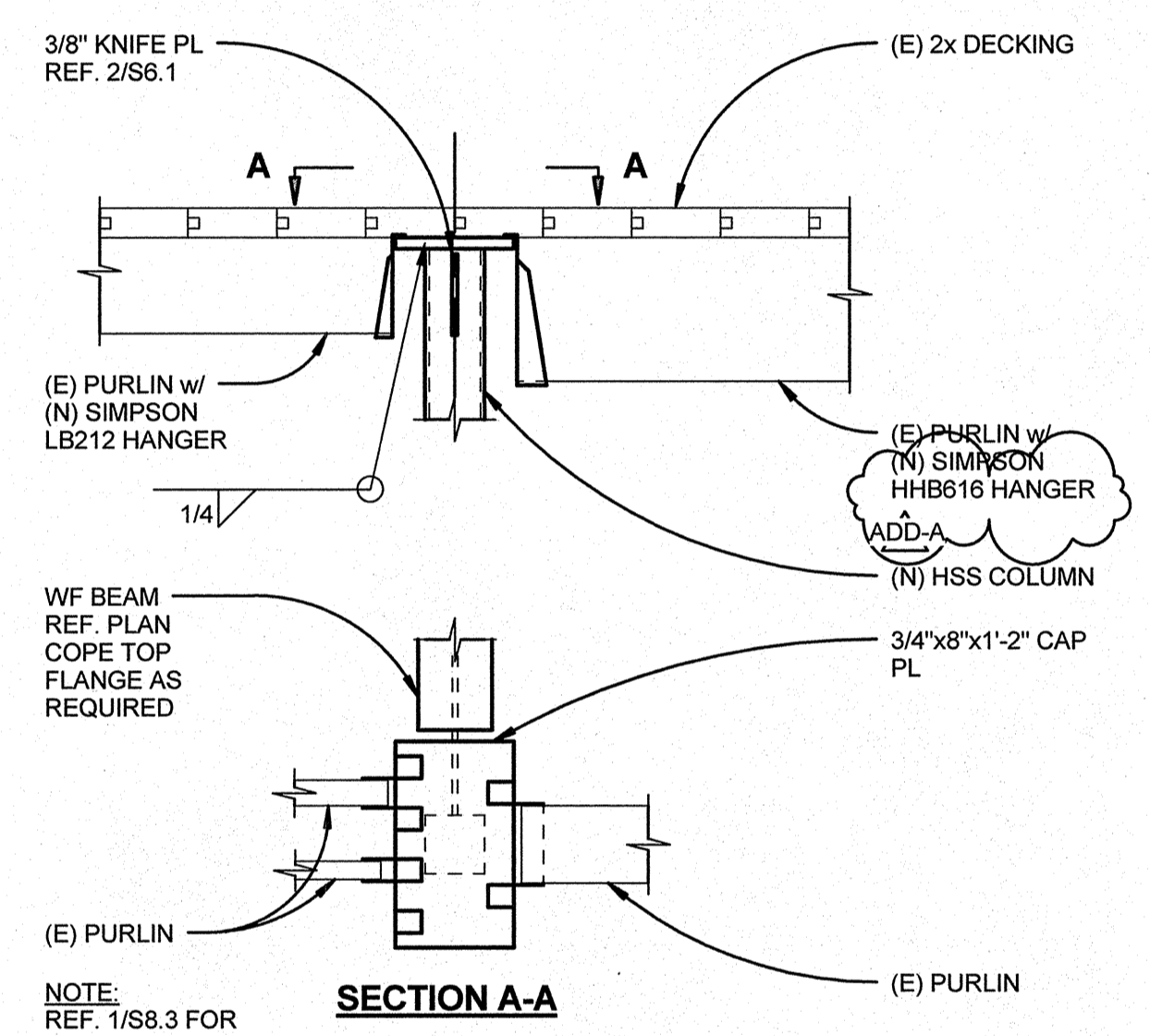
**S8.3**  
74-13107-30  
04.28.2015  
REVISIONS  
ADD-A 03/20/15 Addendum A

**DLR Group**  
Architecture Planning Interiors

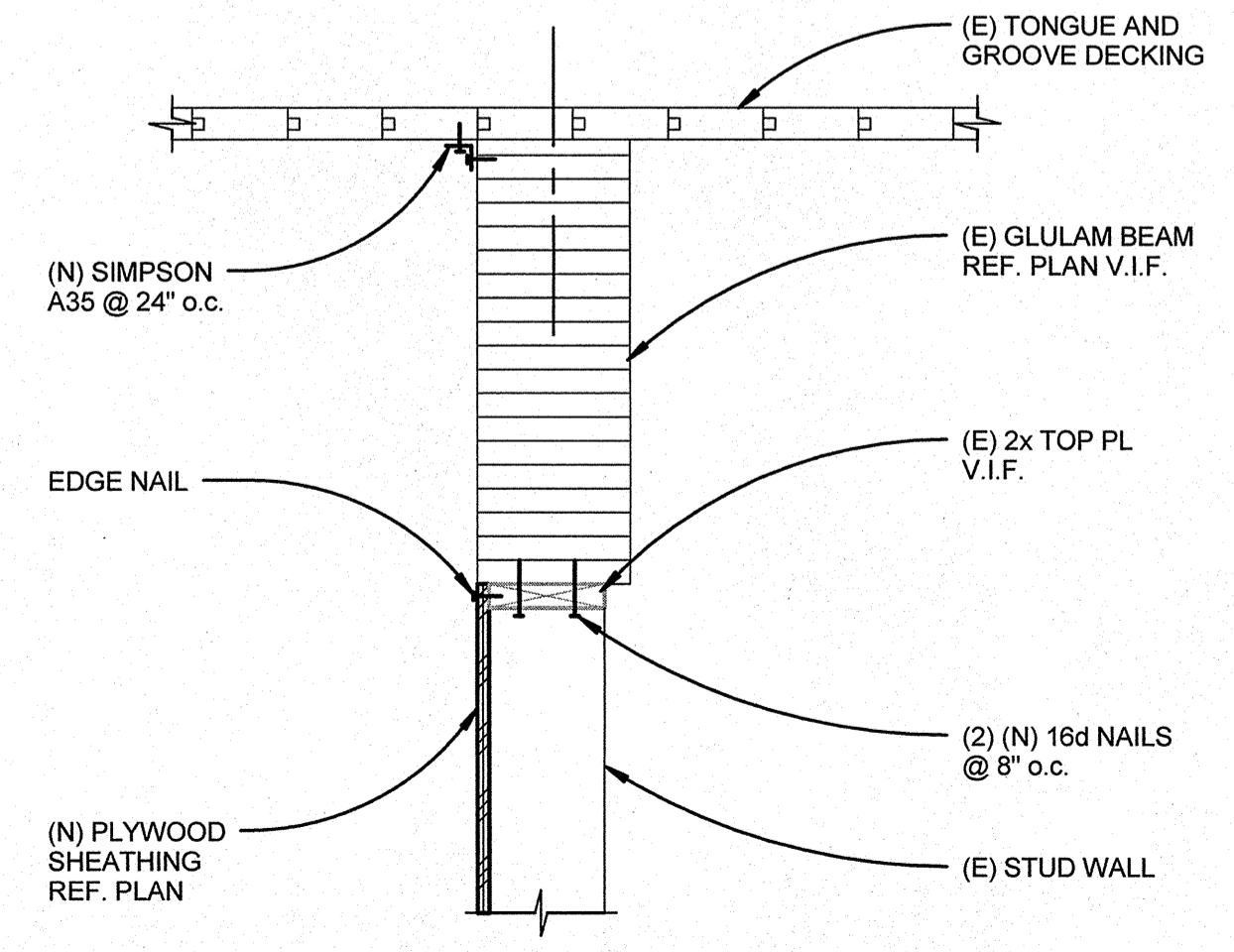
© DLR Group Architecture & Planning Inc., an Oregon corporation, ALL RIGHTS RESERVED



**1** WF BEAM CONNECTION TO EXISTING ROOF  
1" = 1'-0" S4.2



**2** EXISTING PURLIN TO HSS COLUMN  
1" = 1'-0" S4.2



**3** TOP OF SHEAR WALL ADD-A  
1" = 1'-0" S4.2