
REQUEST FOR BIDS ADDENDUM NO. 3

Fern Ridge School District 28J

88834 Territorial Road
Elmira, OR 97437

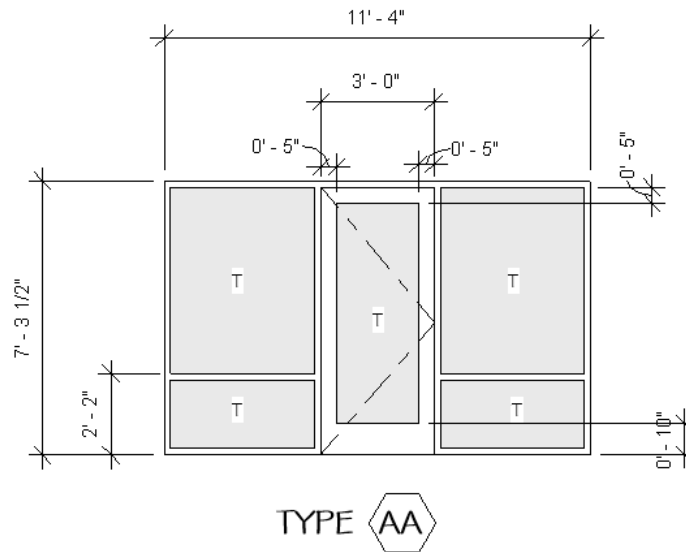
ADDENDUM NO. 3

June 21, 2023

RE: **Elmira High School Restroom Remodel**

These addenda, together with the original request for bids shall form the complete request for bids. This addendum sets forth only the changes and additions, which are to be made in the original Request for Bids(RFB). The original documents remain in full force and effect except as specifically modified in these addenda.

1. Detail 6/M6.1 is calling for the ERV to integrate with the existing BAS which is Trane controls.
2. Revise aluminum storefront frame elevation/door dimension shown on sheet A1.2 as follows:



ALUMINUM STORE FRONT FRAME TYPES

1/4" = 1' - 0"

Clerestory above frame and door cross rail shown in section 2/A3.0 shall be revised to reflect elevation drawing above.

END OF ADDENDUM NO. 3